



# Quick Start Guide

## 2.0 Channel Soundbar

### TB220L

### 1. Specifications

#### Sound Bar

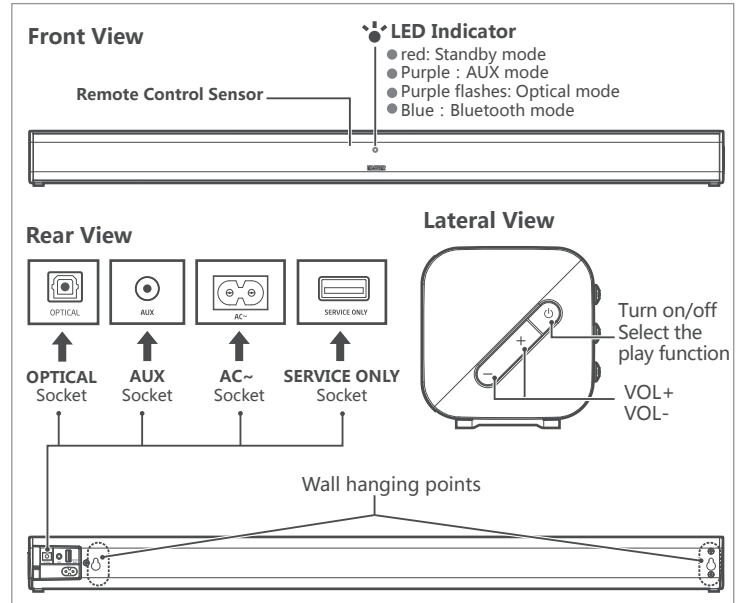
Power Requirements: AC 120V~ 60Hz  
 Power Consumption: 6 W  
 Output Power: 8W x 2  
 Total Harmonic Distortion: 1%(1kHz, 1W)  
 Audio Input Sensitivity: 500mV  
 Frequency Response: 400Hz - 20kHz  
 Speaker Impedance: 4Ω x 2

Unit Dimension (W x H x D):  
 31.6 x 2.5 x 2.6 inch  
 802.3 x 63 x 66.8 mm

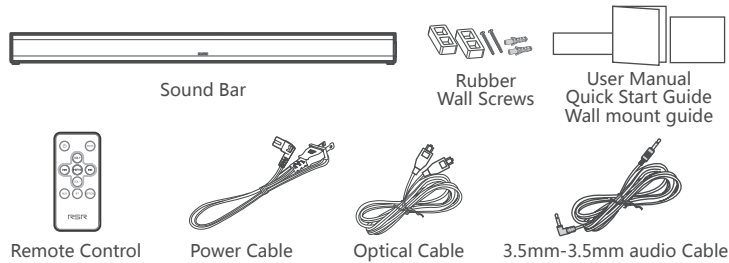
#### Remote Control

Distance/Angle: 19.7 feet (6m) / 30°  
 Battery Type: CR2025

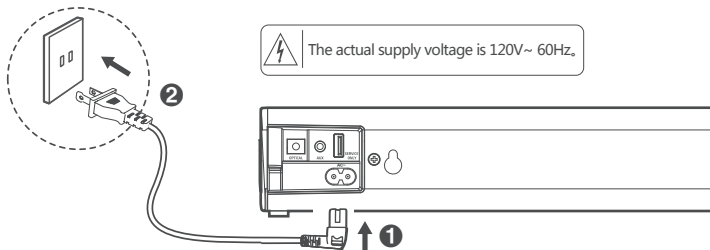
### 4. Product Description



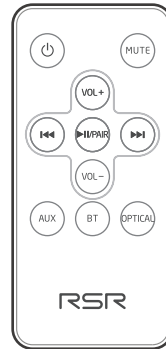
### 2. Standard Accessories



### 3. Preparations

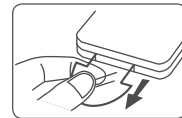


### Remote Control



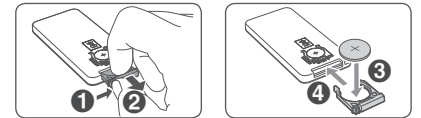
	Turn on / turn off
<b>MUTE</b>	Mute or resume the sound
<b>OPTICAL AUX BT</b>	Select the play function
<b>▶ II PAIR</b>	Start/pause play Activate Bluetooth pairing
<b>◀◀</b>	Previous track
<b>▶▶</b>	Next track
<b>VOL+ VOL -</b>	Increase the volume. Decrease the volume.

#### First-time use :



Remove the protective tab to activate the remote control battery.

#### Replace the Remote Control Battery:



The battery (batteries or battery pack) shall not be exposed to excessive heat such as sunshine, fire or the like.

### 5. General Operation

#### Standby/ON

- When you first connect the unit to the main socket, the unit will be in STANDBY mode.
- Press the button on the remote control to switch the main unit ON or OFF.
- Disconnect the main plug from the main socket if you want to switch the unit off completely.
- If a TV or an external device is connected, the unit will switch on automatically when the TV or the external device is switched on.
- When the unit no input signal for over 15 minutes, the unit will automatically switch to Standby mode.

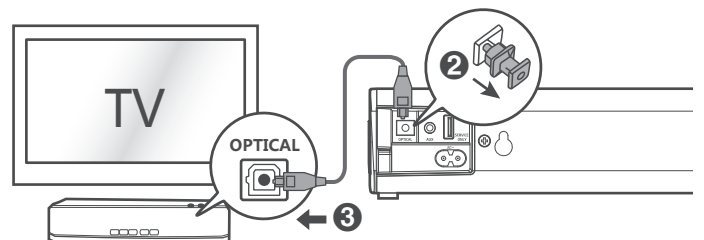
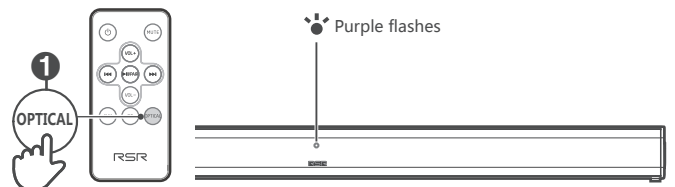
#### Select Modes

- Press the button on the unit repeatedly or the AUX, OPTICAL and BT buttons on the remote control to select the desired mode.

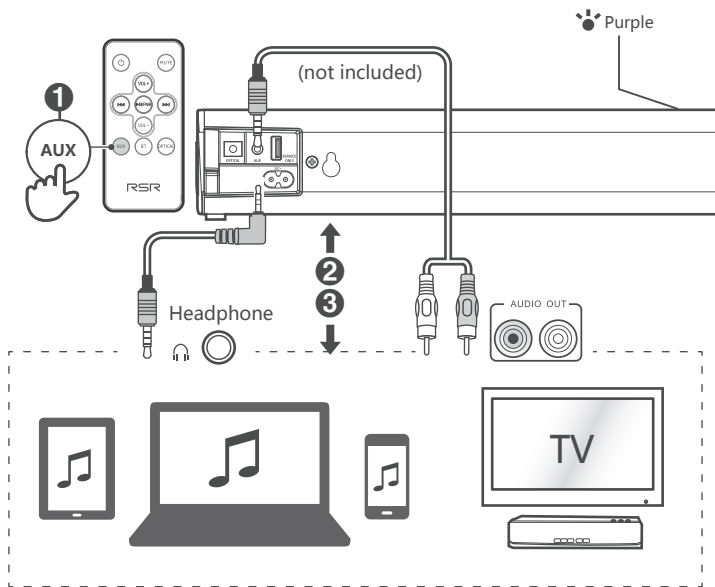
#### Adjust the Volume

- Press the VOL+ / VOL- buttons to adjust the volume.
- If you wish to turn the sound off, press the MUTE button on the remote control. Press the MUTE button again or press the VOL+ / VOL- buttons on the unit or on the remote control to resume normal listening.
- While adjusting the volume, the status indicator flashes quickly.
- While the volume level reaches its maximum level, if you press the VOL+ button again, the status indicator flashes once. While the volume level reaches its minimum level, if you press the VOL- button again, the status indicator flashes once.

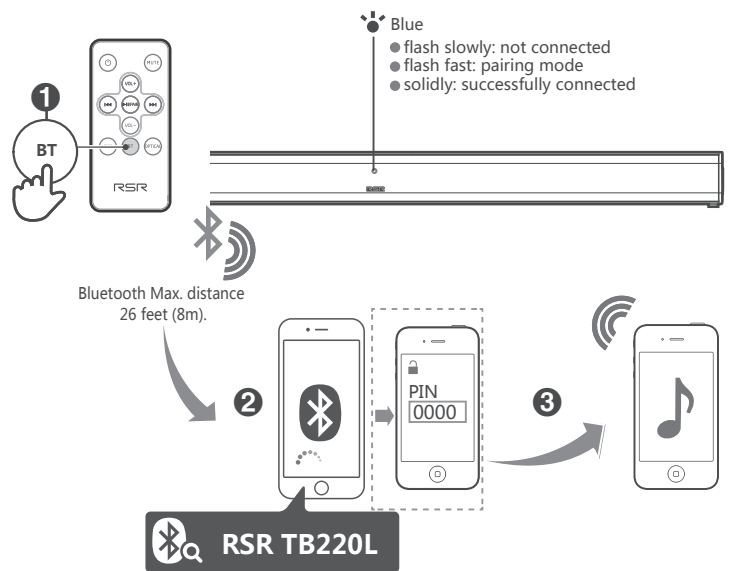
### 6. OPTICAL Operation



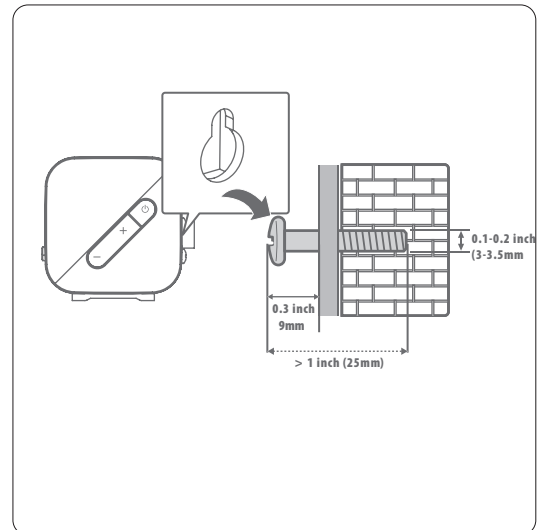
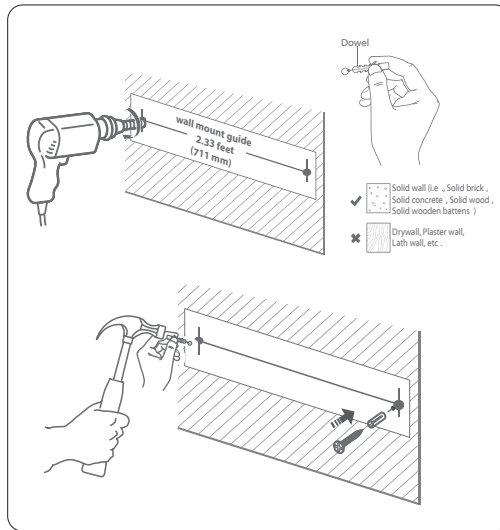
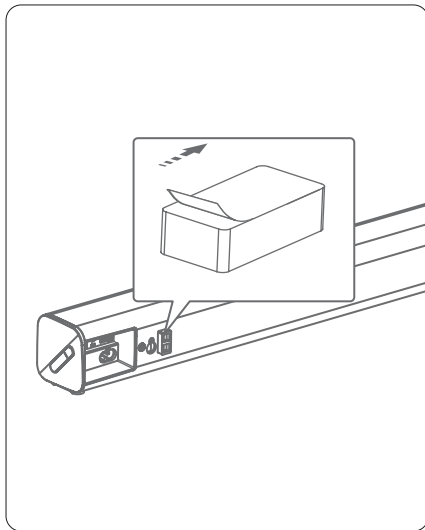
## 7. AUX Operation



## 8. Bluetooth Operation



## 9. Wall Mounting



## Troubleshooting

To keep the warranty valid, never try to repair the system yourself. If you encounter problems when using this unit, check the following points before requesting service.

### No power

- Ensure that the AC cord of the apparatus is properly connected.
- Ensure that there is power at the AC outlet.
- Press standby button to turn the unit on.

### Remote control does not work

- Before you press any playback control button, first select the correct source.
- Reduce the distance between the remote control and the unit.
- Insert the battery with its polarities (+/-) aligned as indicated.
- Replace the battery.
- Aim the remote control directly at the sensor on the front of the unit.

### I can't find the Bluetooth name of this unit on my Bluetooth device for Bluetooth pairing

- Ensure the Bluetooth function is activated on your Bluetooth device.
- Ensure you have paired the unit with your Bluetooth device.

## 1 Year free guarantee !

Thank you for buying the products of RSR !

We are offering our products with 1 year guarantee from the date of your purchase.

You can enjoy the after-sales service in case of the product is faulty or you are simply

struggling to set it up by email to our and our customer service center will revert to you.

[support@richsound.com](mailto:support@richsound.com)